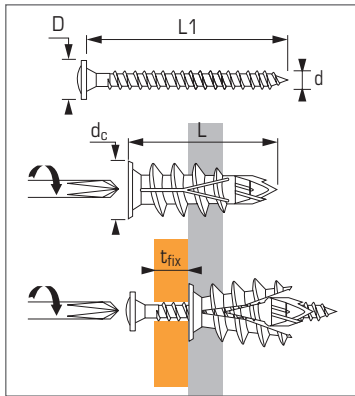




Self drilling anchor for plasterboard & aerated concrete



Technical data

Anchor size	Max. thick. of part to be fixed (mm) t_{fix}	Screw threaded diameter (mm) d	Screw head diameter (mm) D	Total screw length (mm) $L1$	Anchor head diameter (mm) d_c	Total anchor length (mm) L	Code
TP10	10	4,5	9,0	45	13	38	565806

Nota : Predrilling with HSS drill bit is required in aerated concrete : $\varnothing 8$ mm

Recommended loads (N_{rec}) and ultimate loads ($N_{Ru,m}$) in kN

APPLICATION

- Fittings
- Bathroom accessories
- Wall heaters
- Electrical switch boxes
- Trunking
- Conduit

MATERIAL

- **Body** : reinforced polyamid
- **Screw** : Flat head screw supplied

TENSILE

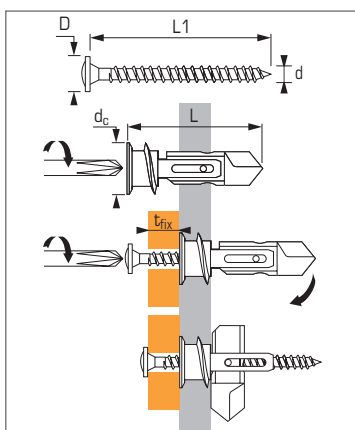
Base material	Anchor size	TP10
Aerated concrete		
N_{rec}		0,095
$N_{Ru,m}$		0,49
Plasterboard BA13		
N_{rec}		0,09
$N_{Ru,m}$		0,45
Plasterboard BA10		
N_{rec}		0,06
$N_{Ru,m}$		0,29

SHEAR

Base material	Anchor size	TP10
Aerated concrete		
V_{rec}		0,25
$V_{Ru,m}$		1,40
Plasterboard BA13		
V_{rec}		0,24
$V_{Ru,m}$		1,10
Plasterboard BA10		
V_{rec}		0,15
$V_{Ru,m}$		0,75



Special fixing for plasterboard: double anchorage



Technical data

Anchor size	Max. thick. of part to be fixed (mm) t_{fix}	Screw threaded diameter (mm) d	Screw head diameter (mm) D	Total screw length (mm) $L1$	Anchor head diameter (mm) d_c	Total anchor length (mm) L	Code
TP12	12	4,5	9,2	45	16	39	061190

Recommended loads (N_{rec}) and ultimate loads ($N_{Ru,m}$) in kN

TENSILE

Base material	Anchor size	TP12
Plasterboard BA13		
N_{rec}		0,12
$N_{Ru,m}$		0,60
Plasterboard BA10		
N_{rec}		0,084
$N_{Ru,m}$		0,42

SHEAR

Base material	Anchor size	TP12
Plasterboard BA13		
V_{rec}		0,28
$V_{Ru,m}$		1,40
Plasterboard BA10		
V_{rec}		0,23
$V_{Ru,m}$		1,15

APPLICATION

- Self-drilling, double anchorage fixing for plasterboard: thickness 10 to 13 mm with or without insulation (polystyren, etc...)
- Bathroom accessories
- Kitchen cabinets
- Radiators
- Fuse boxes

MATERIAL

- **Body** : zamak 3, NFA 55.010
- **Screw** : Special screw supplied, head type PZ2