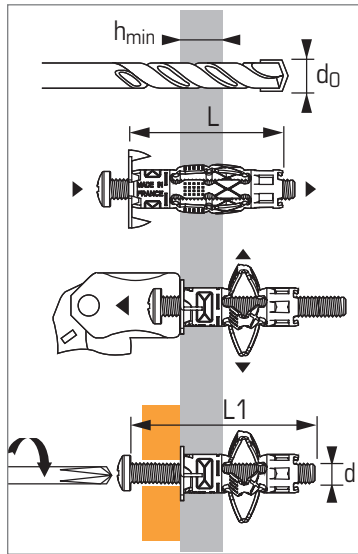




## Anchor for hollow base materials



### APPLICATION

- Light duty clamps
- Radiators
- Inside lighting
- Bathroom fixtures
- Kitchen fixtures
- Inside air conditioning units
- Electrical accessories

### Technical data

Anchor size	Screw threaded diameter (mm) <b>d</b>	Base thickness min.-max. (mm) <b>h<sub>min</sub></b>	Drilling diameter (mm)		Total screw length (mm) <b>L1</b>	Total anchor length (mm) <b>L</b>	Code	
			plasterboard <b>d<sub>0</sub></b>	masonry <b>d<sub>0</sub></b>			with mount. screw	without screw
4X34/13	4	6 - 13	8 - (9)*	10	40	34	061040	-
5X34/13	5	6 - 13	10 - (11)*	12	40	34	061070	057800
6X35/13	6	6 - 13	12 - (13)*	12	40	35	061110	057830

\* ( ) Drilling diameter in plasterboard with HSS drill bit

### Recommended loads ( $N_{rec}$ , $V_{rec}$ ) and ultimate loads ( $N_{Ru,m}$ , $V_{Ru,m}$ ) in kN

#### TENSILE

Base material	Anchor size	Ø4	Ø5
<b>Plasterboard BA13</b>			
$N_{rec}^*$		0,2	0,2
$N_{Ru,m}^*$		0,6	0,6
<b>Hollow clay bricks</b>			
$N_{rec}^*$		0,2	0,2
$N_{Ru,m}^*$		1,2	1,2
<b>Hollow concrete blocks</b>			
$N_{rec}^*$		0,2	0,2
$N_{Ru,m}^*$		1,2	1,2

\* indicative values

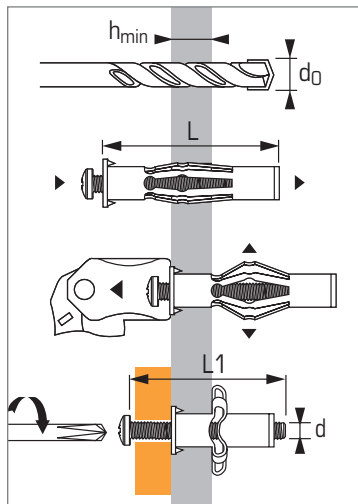
#### SHEAR

Base material	Anchor size	Ø4	Ø5
<b>Plasterboard BA13</b>			
$V_{rec}^*$		0,15	0,2
$V_{Ru,m}^*$		1,0	1,2
<b>Hollow clay bricks</b>			
$V_{rec}^*$		0,35	0,55
$V_{Ru,m}^*$		2,1	3,3
<b>Hollow concrete blocks</b>			
$V_{rec}^*$		0,35	0,55
$V_{Ru,m}^*$		2,1	3,3

\* indicative values



## Anchor for hollow base materials



### APPLICATION

- Fixing to plasterboard and hollow materials
- Bathroom accessories
- Pipework, trunking
- Slotted screw head type PZ2

### Technical data

Anchor size	Screw threaded diameter (mm) <b>d</b>	Base mat. thick. min.-max. (mm) <b>h<sub>min</sub></b>	Drilling diameter (mm) <b>d<sub>0</sub></b>	Total screw length (mm) <b>L1</b>	Total anchor length (mm) <b>L</b>	Code
						with mounted screw
4X46/24	4	12 - 24	8	50	46	061050
5X45/16	5	3 - 16	8	50	45	061080
5X59/32	5	14 - 32	8	65	59	061090
6X46/16	6	4 - 16	10	50	46	061120
6X59/30	6	16 - 30	10	65	59	061130

### Recommended loads ( $N_{rec}$ , $V_{rec}$ ) and ultimate loads ( $N_{Ru,m}$ , $V_{Ru,m}$ ) in kN

#### TENSILE

Base material	Anchor size	Ø4	Ø5	Ø6
<b>Plasterboard BA10</b>				
$N_{Ru,m}^*$		0,6	0,7	0,7
<b>Plasterboard BA13</b>				
$N_{Ru,m}^*$		0,7	0,9	0,9
<b>Hollow clay bricks</b>				
$N_{rec}^*$		0,18	0,18	0,18
$N_{Ru,m}^*$		1,1	1,1	1,1
<b>Hollow concrete blocks</b>				
$N_{rec}^*$		0,23	0,3	0,3
$N_{Ru,m}^*$		2,3	3,9	4,4

\* indicative values

#### SHEAR

Base material	Anchor size	Ø4	Ø5	Ø6
<b>Plasterboard BA10</b>				
$V_{Ru,m}^*$		1,0	1,0	1,0
<b>Plasterboard BA13</b>				
$V_{Ru,m}^*$		1,35	1,35	1,35
<b>Hollow clay bricks</b>				
$V_{rec}^*$		0,36	0,48	0,48
$V_{Ru,m}^*$		2,2	2,9	2,9
<b>Hollow concrete blocks</b>				
$V_{rec}^*$		0,38	0,65	0,73
$V_{Ru,m}^*$		1,4	1,8	1,8

\* indicative values